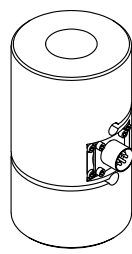
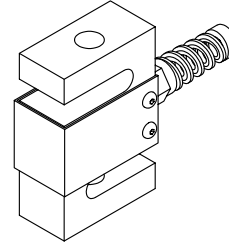
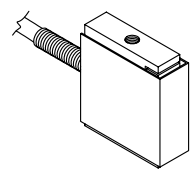


S-BEAM LOAD CELL MOUNTING GUIDE AND APPLICATION NOTES

CAUTIONS

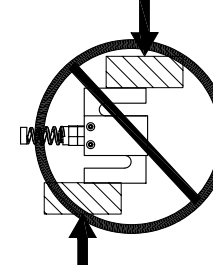
- 1) DO NOT PULL ON OR CARRY SENSOR BY CABLE.
- 2) ANY TAMPERING OR REMOVAL OF COVER, CABLE AND/OR CONNECTOR WILL VOID WARRANTY.
- 3) ALWAYS HAVE SENSOR PLUGGED IN DURING INSTALLATION TO MONITOR OUTPUT TO AVOID PERMANENT ZERO SHIFT AND OVERLOAD.

CYLINDRICAL S-BEAM	STANDARD S-BEAM	JUNIOR S-BEAM
		

MOUNTING

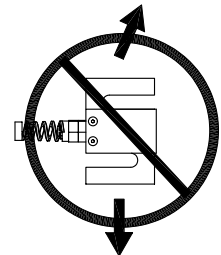
1

- LOAD MUST BE IN LINE AND CENTERED



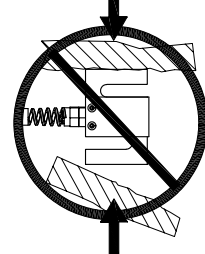
2

- TENSION LOADING MUST BE IN LINE WHEN COMPENSATING LINKAGES ARE NOT USED



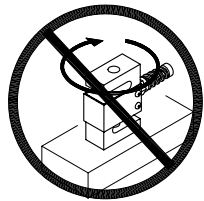
3

- LOAD MUST BE FLAT AND PARALLEL WHEN COMPENSATING LINKAGES ARE NOT USED



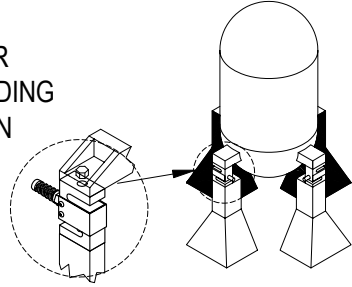
4

- THREAD THE FIXTURE TO THE SENSOR. THREADING THE SENSOR TO THE FIXTURE CAN APPLY TORQUE THAT MAY DAMAGE THE UNIT



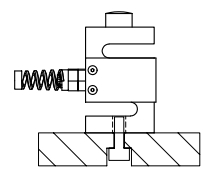
5

- SENSOR CAN BE USED TO MONITOR VOLUME IN A HOLDING TANK APPLICATION



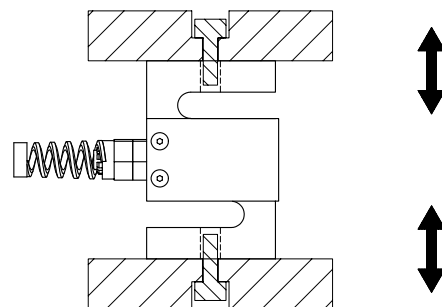
6

- A LOAD BUTTON MAY BE USED WHILE THE BOTTOM OF THE SENSOR IS SECURED TO A BASE PLATE



7

- SENSOR CAN BE USED SANDWICHED WITH MORE THAN ONE UNIT BETWEEN TWO PLATES



8

ROD END BEARINGS WITH CLEVISSES OR ALIGNMENT COUPLERS MAY BE USED TO MAKE UP FOR MISALIGNMENT

